

Swimming pool equipment



Wall and bottom outlet

Made of acid proof stainless steel. For deeper swimming pools it is a good idea to install a bottom outlet to prevent stagnant water at the bottom of the pool. Can also be used as outlet for water curtain or massage nozzle. Can be mounted in the wall or in the bottom of the pool.

Recommended flow capacity max 20 m³/h.

Features

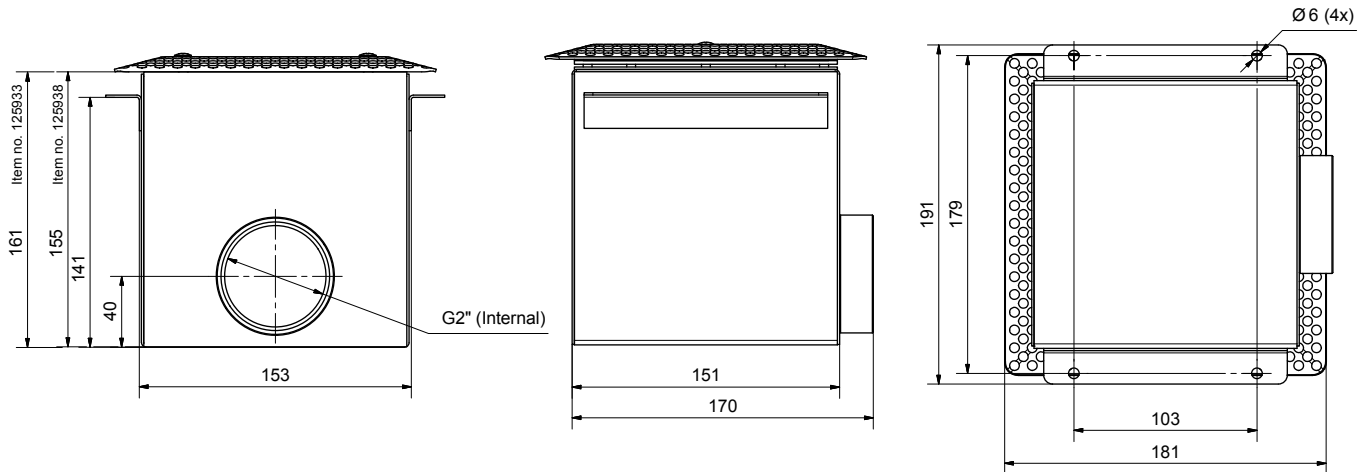
- Polished front grating
- Acid proof stainless steel
- Suitable for all types of pools

Item no.	Type (side)	Item no.	Type (bottom)	
125933	CA-WBS	125931	CA-WBB	For liner pools. Complete with flange, rubber gasket and screws. The polished grate is detachable with two screws.
125938	A-WBS	125936	A-WBB	For concrete pools. With flanges for embedding in the concrete floor. The polished grate is detachable with two screws.
126751	NLF-20	Non leak flange. Acid proof stainless steel, with sealing flange. Inside and outside thread 2". Length 600 mm.		
121952	Non leak flange. Acid proof stainless steel, with sealing flange. Outside thread 2". Length 250 mm.			

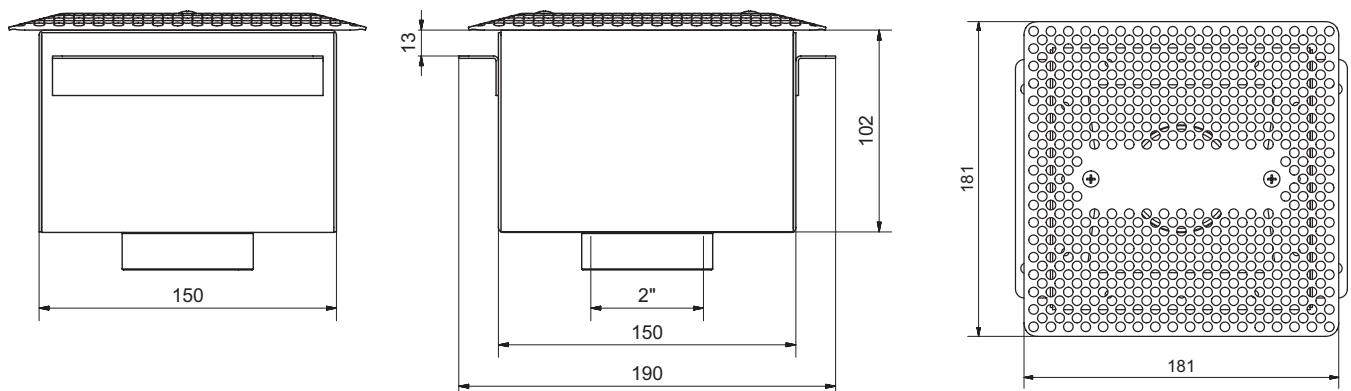
Accessories for fiberglass/PP pool

Item no.

15530132 Fixing kit for wall and bottom outlet fiberglass/PP pool.



Item no. 125933, 125938



Item no. 125931, 125936