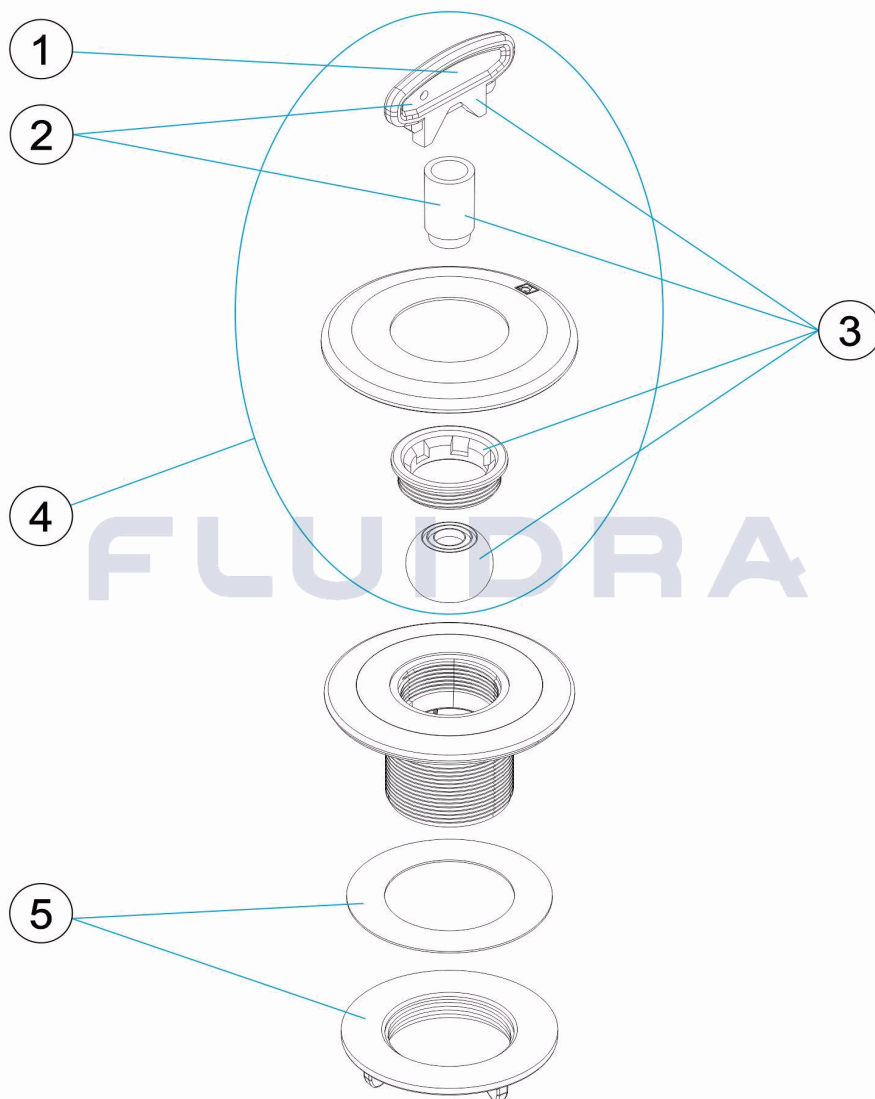


CODIGO **00334, 00334CL090, 00334CL129, 00334CL144**

DESCRIPCION: **BOQUILLA IMPULSION MULTIFLOW PISCINA PREF.**



**ESPAÑOL**

POS	CODIGO	DESCRIPCION	CANTIDAD	POS	CODIGO	DESCRIPCION	CANTIDAD
1	4402040304	LLAVE BOQUILLA		4	* 4402040301	BOLA MULTIFLOW COMPLETA	
2	4402040093	LLAVE BOQUILLA		4	* 4402040051	BOLA MULTIFLOW COMPLETA	
3	* 4411030311	BOLA MULTIFLOW SKIMMER MOCHILA		4	* 4402040052	BOLA MULTIFLOW COMPLETA	
3	* 4402040054	BOLA MULTIFLOW SKIMMER MOCHILA		4	* 4402040053	BOLA MULTIFLOW COMPLETA	
3	* 4402040055	BOLA MULTIFLOW SKIMMER MOCHILA		5	4402041701	TUERCA FIJACION CON JUNTA	
3	* 4402040056	BOLA MULTIFLOW SKIMMER MOCHILA					

**CODIGO 00334, 00334CL090, 00334CL129, 00334CL144**

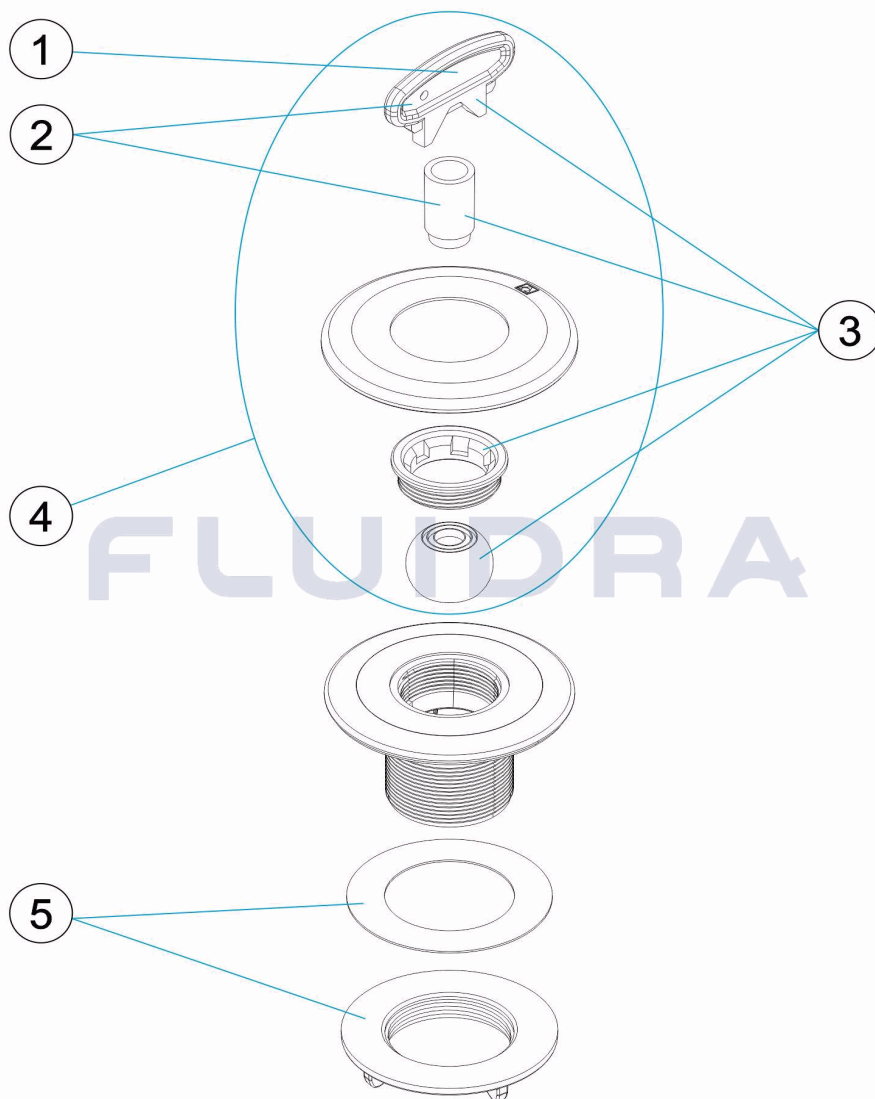
**DESCRIPCION: BOQUILLA IMPULSION MULTIFLOW PISCINA PREF.**

**OBSERVACIONES**

POS	CODIGO	OBSERVACIONES
3	* 4411030311	PARA: 00334 BLANCO / WHITE
3	* 4402040054	PARA: 00334CL090 BEIGE
3	* 4402040055	PARA: 00334CL129 GRIS / GREY
3	* 4402040056	PARA: 00334CL144 ANTRACITA / ANTHRACITE
4	* 4402040301	PARA: 00334 BLANCO / WHITE
4	* 4402040051	PARA: 00334CL090 BEIGE
4	* 4402040052	PARA: 00334CL129 GRIS / GREY
4	* 4402040053	PARA: 00334CL144 ANTRACITA / ANTHRACITE

CODE 00334, 00334CL090, 00334CL129, 00334CL144

DESCRIPTION: BUSE REFOULEMENT MULTIFLOW PISCINE PRÉF.



FRANCAIS

POS	CODE	DESCRIPTION	QUANTITE	POS	CODE	DESCRIPTION	QUANTITE
1	4402040304	CLEF POUR BUSE		4	* 4402040301	ENSEMBLE ROTULE MULTIFLOW COMPLET	
2	4402040093	CLEF POUR BUSE		4	* 4402040051	ENSEMBLE ROTULE MULTIFLOW COMPLET	
3	* 4411030311	ROTULE MULTIFLOW SKIMMER MONOBLC		4	* 4402040052	ENSEMBLE ROTULE MULTIFLOW COMPLET	
3	* 4402040054	ROTULE MULTIFLOW SKIMMER MONOBLC		4	* 4402040053	ENSEMBLE ROTULE MULTIFLOW COMPLET	
3	* 4402040055	ROTULE MULTIFLOW SKIMMER MONOBLC		5	4402041701	ECROU DE FIXATION AVEC JOINT	
3	* 4402040056	ROTULE MULTIFLOW SKIMMER MONOBLC					

CODE **00334, 00334CL090, 00334CL129, 00334CL144**

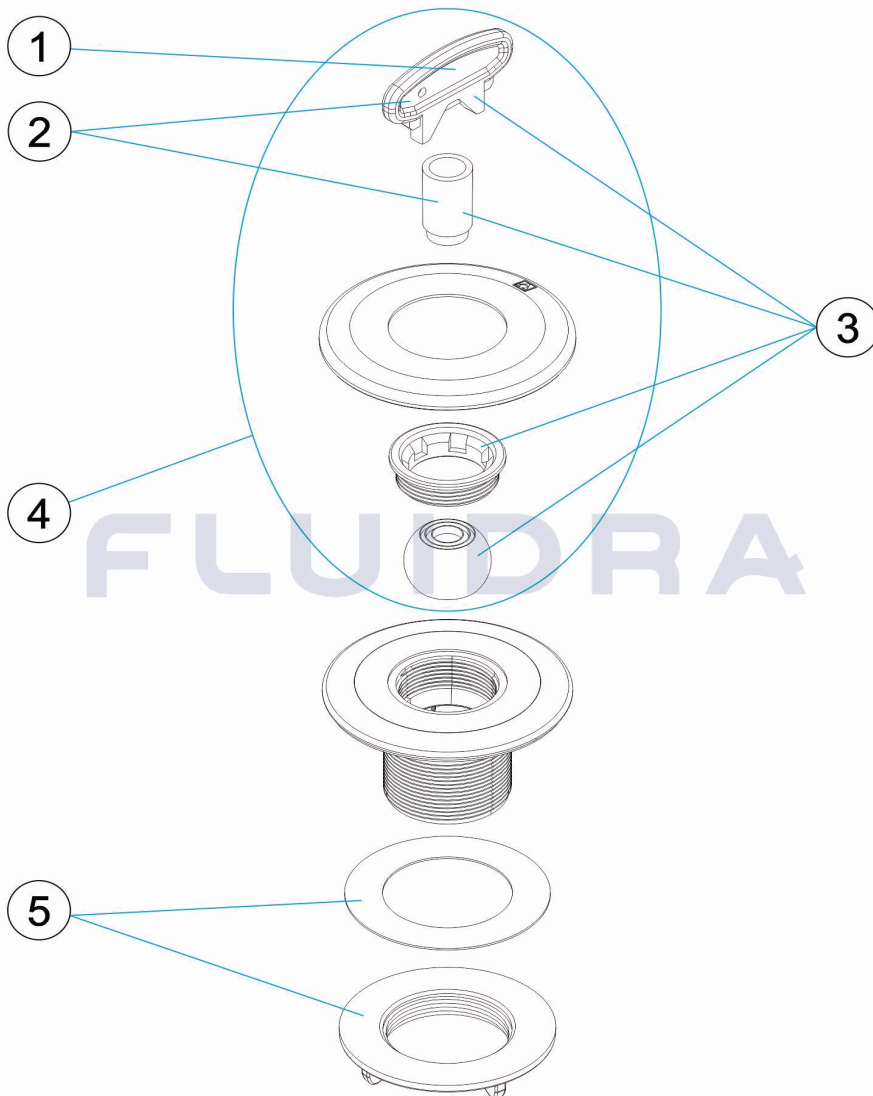
DESCRIPTION: **BUSE REFOULEMENT MULTIFLOW PISCINE PRÉF.**

**OBSERVATIONS**

POS	CODE	OBSERVATIONS
3	* 4411030311	POUR: 00334 BLANCO / WHITE
3	* 4402040054	POUR: 00334CL090 BEIGE
3	* 4402040055	POUR: 00334CL129 GRIS / GREY
3	* 4402040056	POUR: 00334CL144 ANTRACITA / ANTHRACITE
4	* 4402040301	POUR: 00334 BLANCO / WHITE
4	* 4402040051	POUR: 00334CL090 BEIGE
4	* 4402040052	POUR: 00334CL129 GRIS / GREY
4	* 4402040053	POUR: 00334CL144 ANTRACITA / ANTHRACITE

CODE **00334, 00334CL090, 00334CL129, 00334CL144**

DESCRIPTION: **MULTIFLOW RETURN INLET PREFAB POOL**



**ENGLISH**

POS	CODE	DESCRIPTION	QUANTITY	POS	CODE	DESCRIPTION	QUANTITY
1	4402040304	KEY FOR INLET		4	* 4402040301	MULTIFLOW EYEBALL ASSEMBLY	
2	4402040093	KEY FOR INLET		4	* 4402040051	MULTIFLOW EYEBALL ASSEMBLY	
3	* 4411030311	MULTIFLOW BALL, UNIVER. SKIMMER		4	* 4402040052	MULTIFLOW EYEBALL ASSEMBLY	
3	* 4402040054	MULTIFLOW BALL, UNIVER. SKIMMER		4	* 4402040053	MULTIFLOW EYEBALL ASSEMBLY	
3	* 4402040055	MULTIFLOW BALL, UNIVER. SKIMMER		5	4402041701	FIXING NUT AND GASKET	
3	* 4402040056	MULTIFLOW BALL, UNIVER. SKIMMER					

CODE **00334, 00334CL090, 00334CL129, 00334CL144**

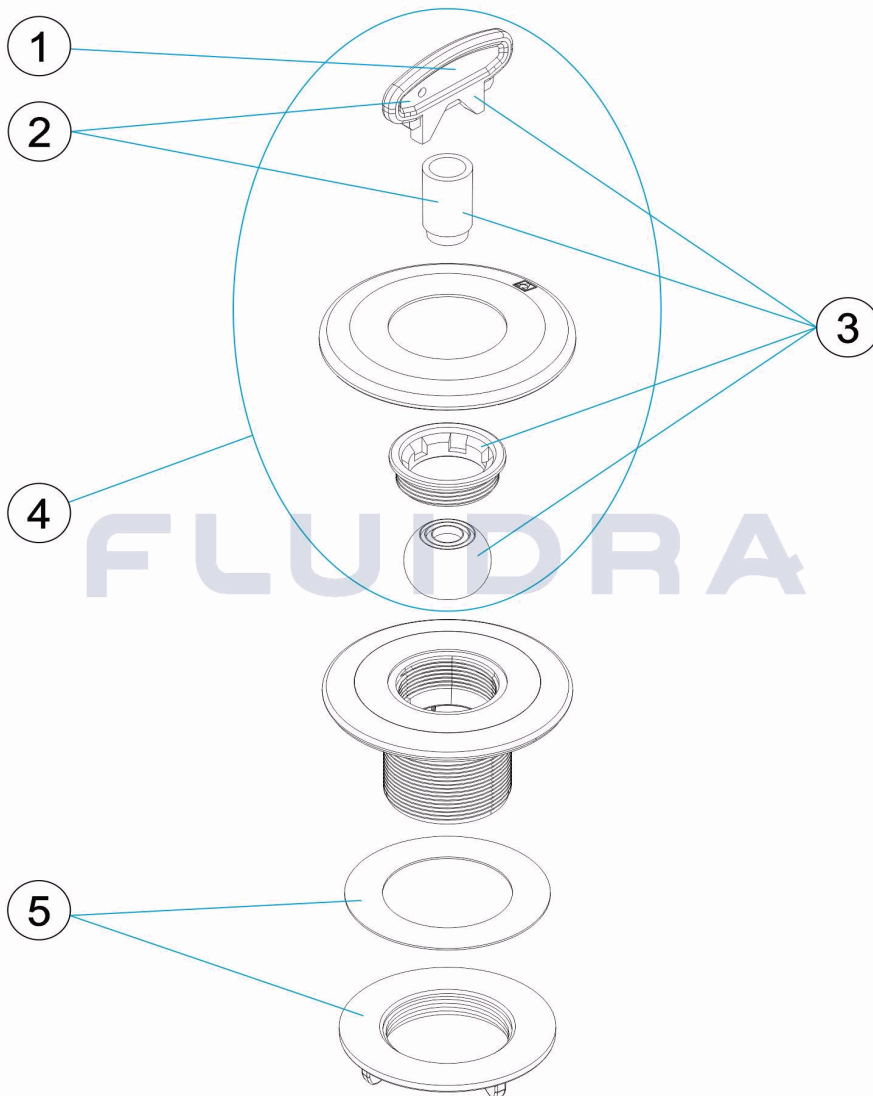
DESCRIPTION: **MULTIFLOW RETURN INLET PREFAB POOL**

**OBSERVATIONS**

POS	CODE	OBSERVATIONS
3	* 4411030311	FOR: 00334 BLANCO / WHITE
3	* 4402040054	FOR: 00334CL090 BEIGE
3	* 4402040055	FOR: 00334CL129 GRIS / GREY
3	* 4402040056	FOR: 00334CL144 ANTRACITA / ANTHRACITE
4	* 4402040301	FOR: 00334 BLANCO / WHITE
4	* 4402040051	FOR: 00334CL090 BEIGE
4	* 4402040052	FOR: 00334CL129 GRIS / GREY
4	* 4402040053	FOR: 00334CL144 ANTRACITA / ANTHRACITE

CODICE **00334, 00334CL090, 00334CL129, 00334CL144**

DESCRIZIONE: **BOCCHETTA IMPULSIONE MULTIFLOW PISC. PREF.**



**ITALIANO**

POS	CODICE	DESCRIZIONE	QUANTITA'	POS	CODICE	DESCRIZIONE	QUANTITA'
1	4402040304	CHIAVE		4	* 4402040301	SFERA MULTIFLOW COMPLETA	
2	4402040093	CHIAVE		4	* 4402040051	SFERA MULTIFLOW COMPLETA	
3	* 4411030311	SFERA MULTI-FLOW SKIMMER		4	* 4402040052	SFERA MULTIFLOW COMPLETA	
3	* 4402040054	SFERA MULTI-FLOW SKIMMER		4	* 4402040053	SFERA MULTIFLOW COMPLETA	
3	* 4402040055	SFERA MULTI-FLOW SKIMMER		5	4402041701	GHIERA FISSAGGIO CON GUARNIZIONE	
3	* 4402040056	SFERA MULTI-FLOW SKIMMER					

**CODICE 00334, 00334CL090, 00334CL129, 00334CL144**

**DESCRIZIONE: BOCCHETTA IMPULSIONE MULTIFLOW PISC. PREF.**

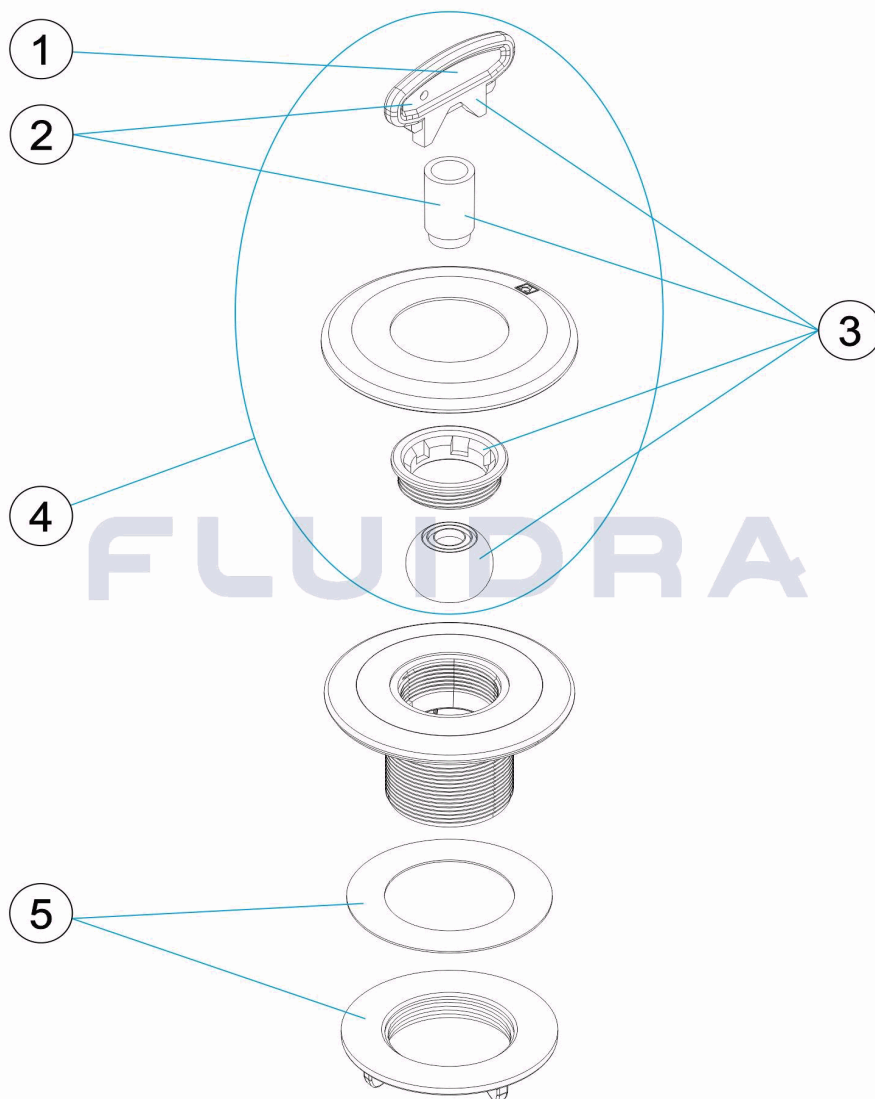
**OSSERVAZIONI**

POS	CODICE	OSSERVAZIONI
3	* 4411030311	PER: 00334 BLANCO / WHITE
3	* 4402040054	PER: 00334CL090 BEIGE
3	* 4402040055	PER: 00334CL129 GRIS / GREY
3	* 4402040056	PER: 00334CL144 ANTRACITA / ANTHRACITE
4	* 4402040301	PER: 00334 BLANCO / WHITE
4	* 4402040051	PER: 00334CL090 BEIGE
4	* 4402040052	PER: 00334CL129 GRIS / GREY
4	* 4402040053	PER: 00334CL144 ANTRACITA / ANTHRACITE



CODE **00334, 00334CL090, 00334CL129, 00334CL144**

BESCHREIBUNG: **EINLAUFDÜSE MULTIFLOW FERTIGBECKEN**



**DEUTSCH**

POS	CODE	BESCHREIBUNG	MENGE	POS	CODE	BESCHREIBUNG	MENGE
1	4402040304	SCHLÜSSEL DÜSE		4	* 4402040301	MULTIFLOWKUGEL KOMPLETT	
2	4402040093	SCHLÜSSEL DÜSE		4	* 4402040051	MULTIFLOWKUGEL KOMPLETT	
3	* 4411030311	MULTIFLOWKUGEL SKIMMER BEUTEL		4	* 4402040052	MULTIFLOWKUGEL KOMPLETT	
3	* 4402040054	MULTIFLOWKUGEL SKIMMER BEUTEL		4	* 4402040053	MULTIFLOWKUGEL KOMPLETT	
3	* 4402040055	MULTIFLOWKUGEL SKIMMER BEUTEL		5	4402041701	FIXIERMUTTER UND DICHTUNG	
3	* 4402040056	MULTIFLOWKUGEL SKIMMER BEUTEL					

CODE **00334, 00334CL090, 00334CL129, 00334CL144**

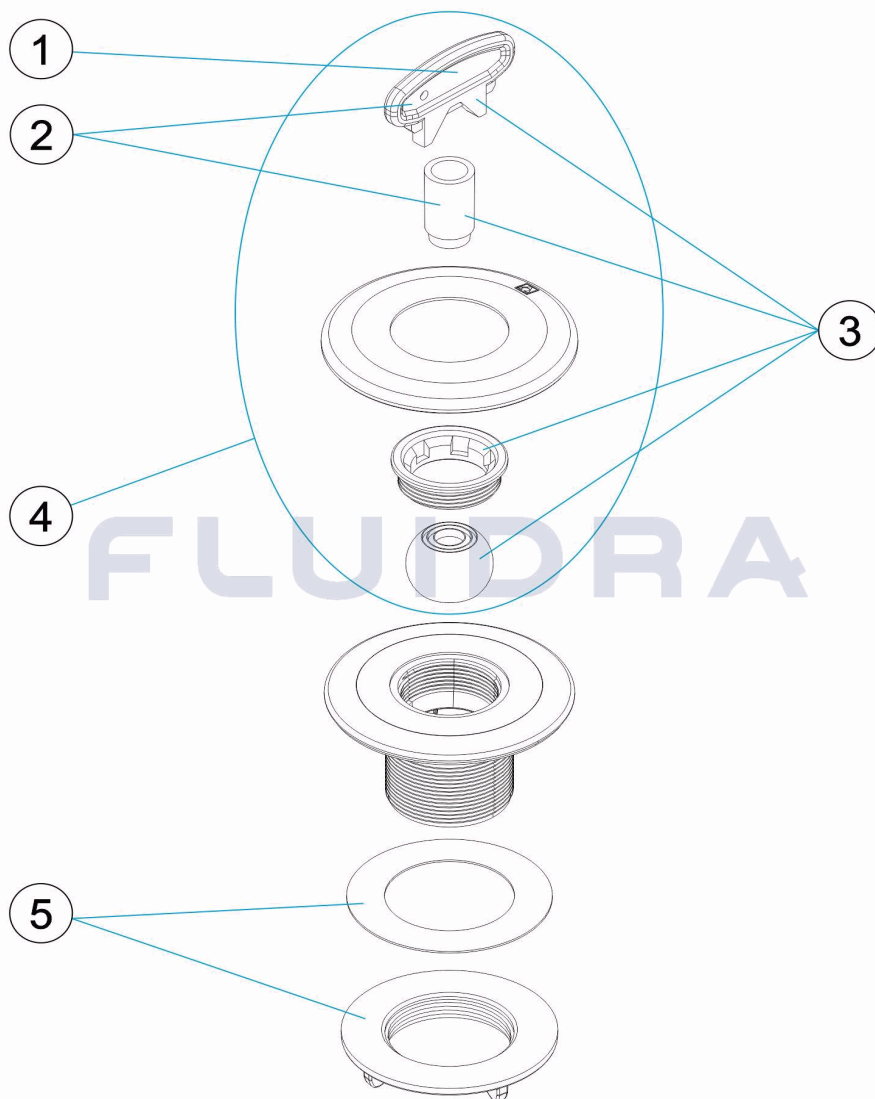
BESCHREIBUNG: **EINLAUFDÜSE MULTIFLOW FERTIGBECKEN**

**HINWEISE**

POS	CODE	HINWEISE
3	* 4411030311	FÜR: 00334 BLANCO / WHITE
3	* 4402040054	FÜR: 00334CL090 BEIGE
3	* 4402040055	FÜR: 00334CL129 GRIS / GREY
3	* 4402040056	FÜR: 00334CL144 ANTRACITA / ANTHRACITE
4	* 4402040301	FÜR: 00334 BLANCO / WHITE
4	* 4402040051	FÜR: 00334CL090 BEIGE
4	* 4402040052	FÜR: 00334CL129 GRIS / GREY
4	* 4402040053	FÜR: 00334CL144 ANTRACITA / ANTHRACITE

CODIGO **00334, 00334CL090, 00334CL129, 00334CL144**

DESCRIÇÃO: **BOQUILHA IMPULSÃO MULTIFLOW PISCINA PRÉ-F.**



**PORTUGUES**

POS	CODIGO	DESCRIÇÃO	JANTIDADE	POS	CODIGO	DESCRIÇÃO	JANTIDADE
1	4402040304	CHAVE BOCA		4	* 4402040301	BOLA MULTIFLOW COMPLETA	
2	4402040093	CHAVE BOCA		4	* 4402040051	BOLA MULTIFLOW COMPLETA	
3	* 4411030311	BOLA MULTIFLOW SKIMMER MOCHILA		4	* 4402040052	BOLA MULTIFLOW COMPLETA	
3	* 4402040054	BOLA MULTIFLOW SKIMMER MOCHILA		4	* 4402040053	BOLA MULTIFLOW COMPLETA	
3	* 4402040055	BOLA MULTIFLOW SKIMMER MOCHILA		5	4402041701	PORCA FIXAÇÃO COM JUNTA	
3	* 4402040056	BOLA MULTIFLOW SKIMMER MOCHILA					

**CODIGO 00334, 00334CL090, 00334CL129, 00334CL144**

**DESCRIÇÃO: BOQUILHA IMPULSÃO MULTIFLOW PISCINA PRÉ-F.**

**OBSERVACÕES**

POS	CODIGO	OBSERVACÕES
3	* 4411030311	PARA: 00334 BLANCO / WHITE
3	* 4402040054	PARA: 00334CL090 BEIGE
3	* 4402040055	PARA: 00334CL129 GRIS / GREY
3	* 4402040056	PARA: 00334CL144 ANTRACITA / ANTHRACITE
4	* 4402040301	PARA: 00334 BLANCO / WHITE
4	* 4402040051	PARA: 00334CL090 BEIGE
4	* 4402040052	PARA: 00334CL129 GRIS / GREY
4	* 4402040053	PARA: 00334CL144 ANTRACITA / ANTHRACITE