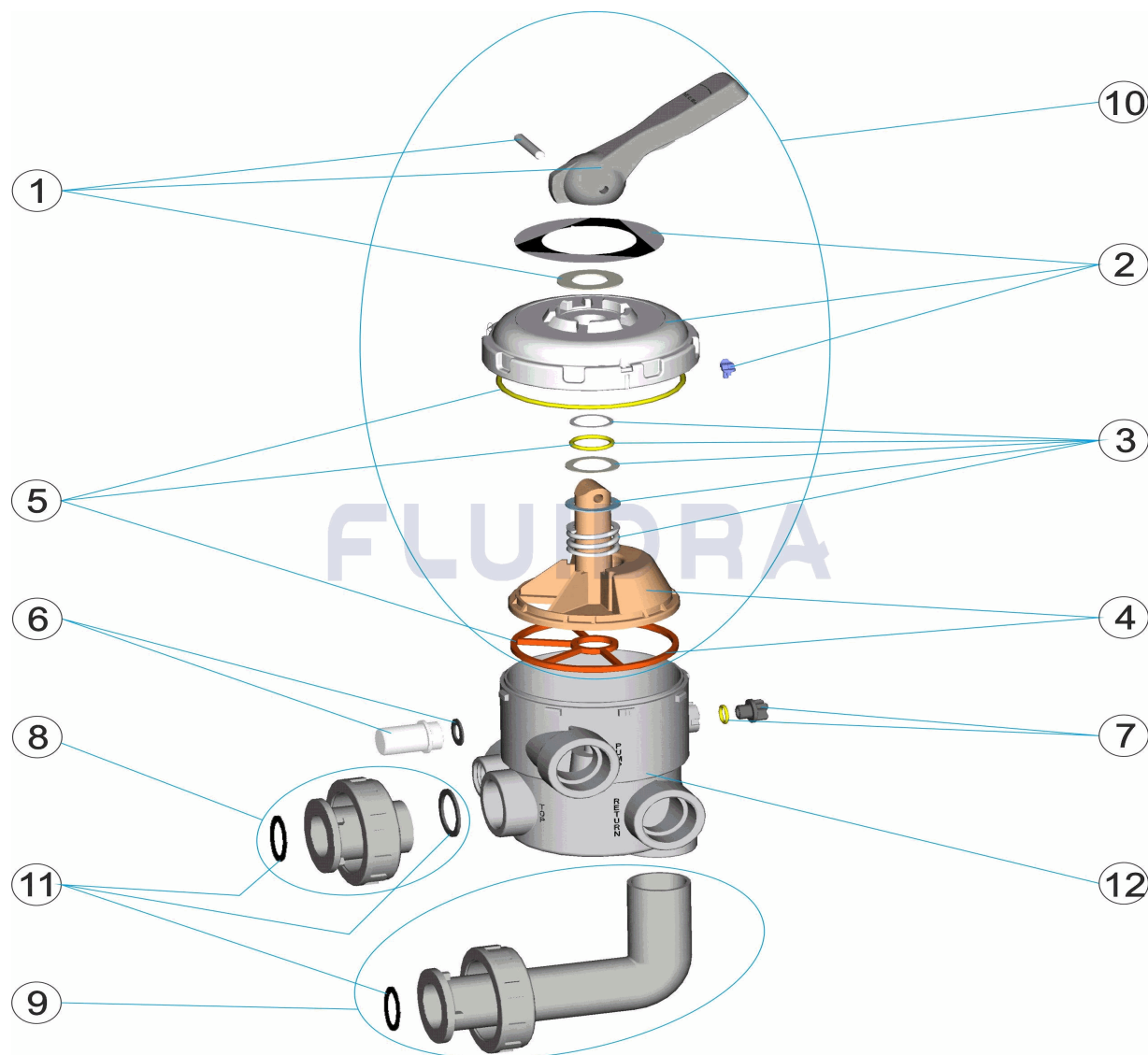


CODIGO **20569**

DESCRIPCION: **VALVULA SELECTORA 1 1/2" BAYONETA + RACORDAJ "**

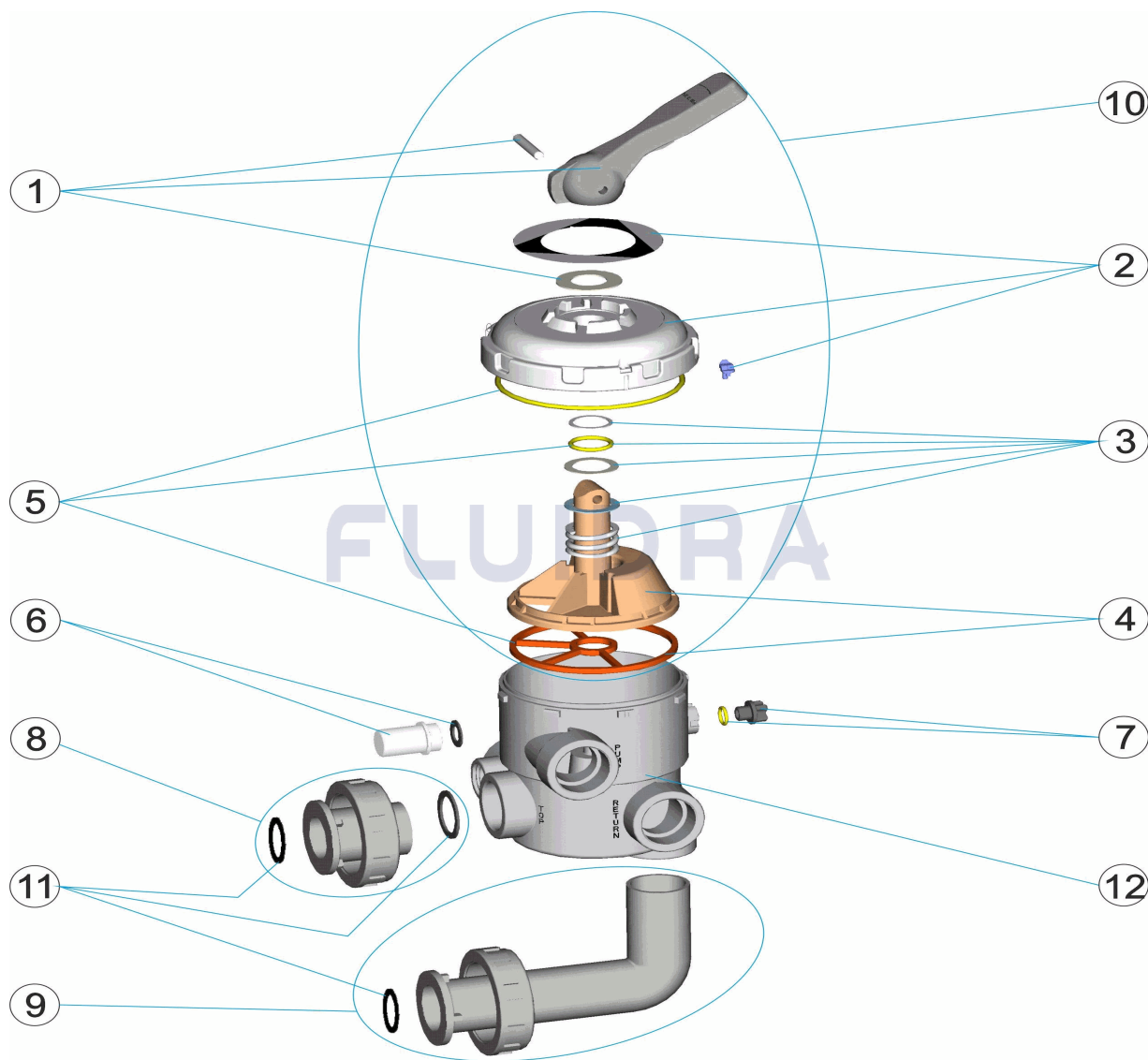


ESPAÑOL

POS	CODIGO	DESCRIPCION	CANTIDAD	POS	CODIGO	DESCRIPCION	CANTIDAD
1	4404120102	MANETA NEGRA 1 1/2'-2'		7	4404121107	TAPON 1/4' VALVULA	
2	4404121102	TAPA ABS 6 V		8	4404120202	ENLACE RECTO NEGRO 1 1/2' NUEVO	
3	4404121103	RESORTE VALVULA		9	4404120204	ENLACE ACODADO NEGRO 1 1/2' NUEVO	
4	4404121104	DISTRIBUIDOR CON JUNTA		10	4404121110	CJTO. SUPERIOR 11/2" BAYONETA NEGR "	
5	4404121105	JUNTAS VALVULA 1 1/2'		11	4404120205	JUNTAS ENLACE 1 1/2'	
6	4404120108	VISOR CON JUNTA		12	20043R0110	CUERPO VALVULA 1 1/2"	

CODE 20569

DESCRIPTION: SÉLECTEUR 1 1/2" BAÏONNETTE + RACCOR "

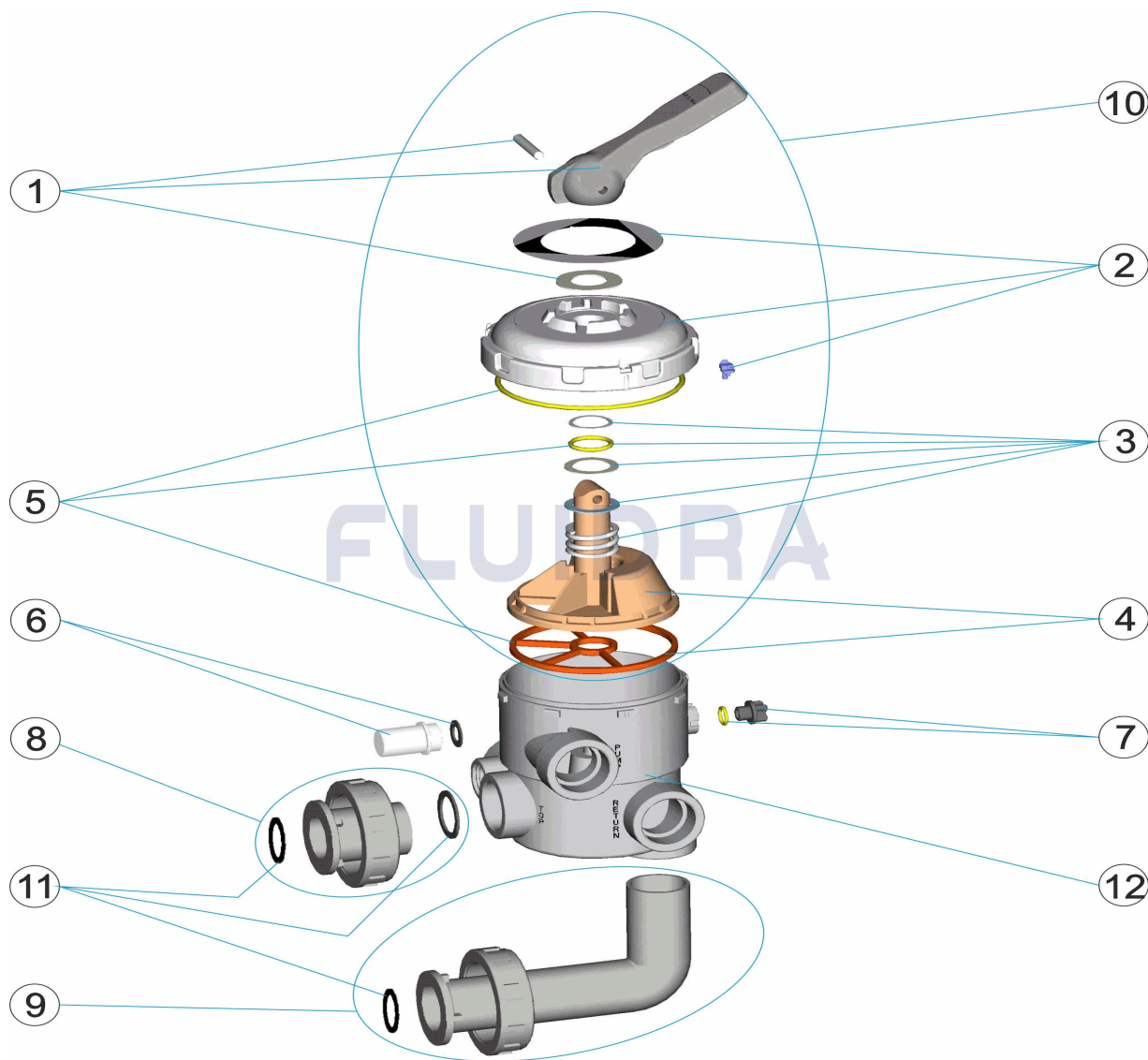


FRANCAIS

POS	CODE	DESCRIPTION	QUANTITE	POS	CODE	DESCRIPTION	QUANTITE
1	4404120102	POIGNEE NOIRE 1 1/2' ET 2'		7	4404121107	BOUCHON 1/4' DE VANNE	
2	4404121102	COUVERCLE ABS 6 VOIES		8	4404120202	SORTIE DROITE NOIRE 1 1/2' NOUVEAU MC	
3	4404121103	RESSORT DE VANNE		9	4404120204	SORTIE COUDEE NOIRE 1 1/2'	
4	4404121104	BOISSEAU AVEC JOINT		10	4404121110	ENSEMBLE SUPÉRIEUR 1 1/2" BAYONETTE	
5	4404121105	JOINTS VANNE 1 1/2'		11	4404120205	JOINTS DE SORTIES 1 1/2'	
6	4404120108	VOYANT ET JOINT		12	20043R0110	CORPS LATERAL ABS	

CODE **20569**

DESCRIPTION: **MULTIPORT VALVE 1 1/2" LEVEL INDICATOR + COUPLIN "**

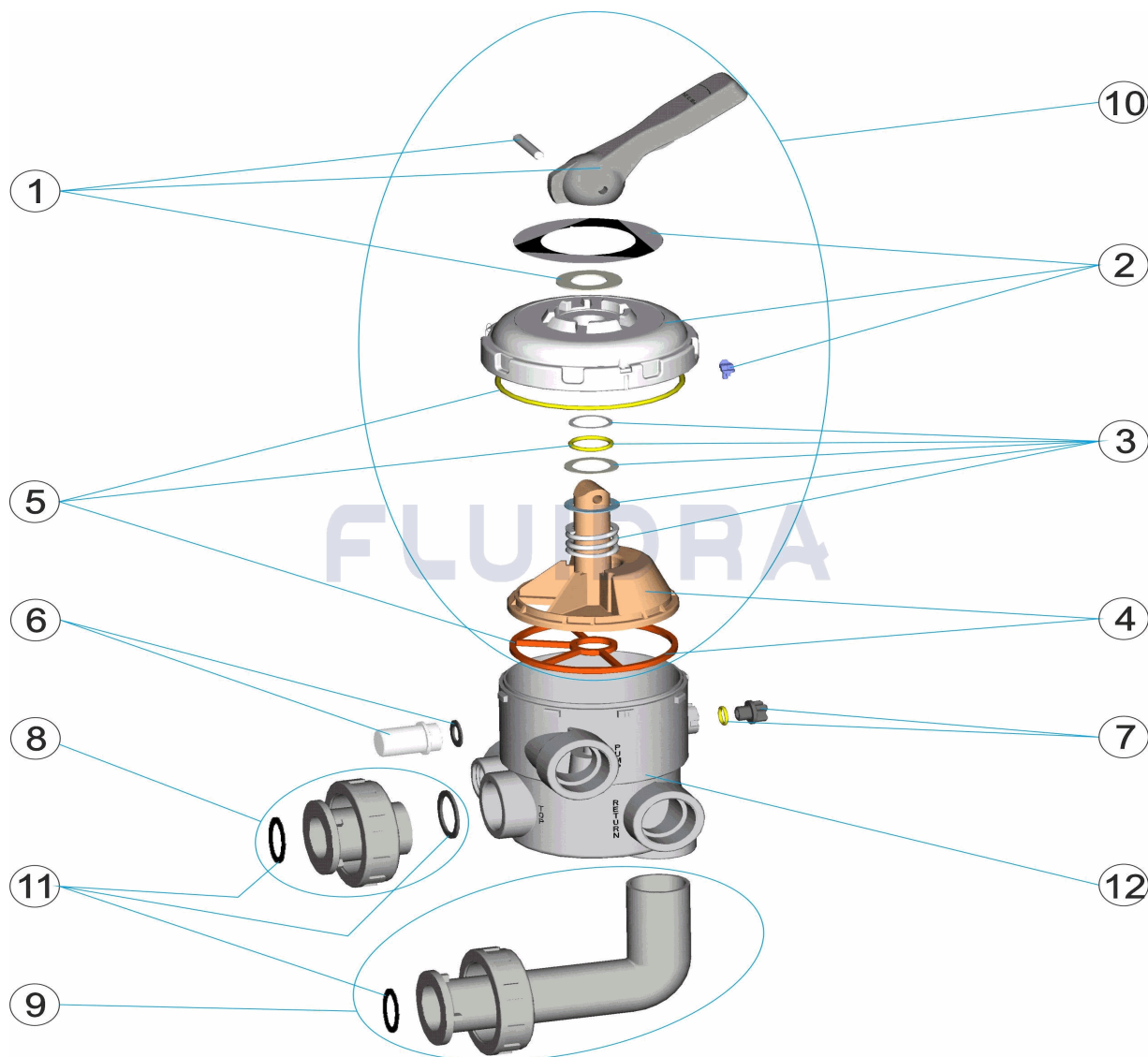


ENGLISH

POS	CODE	DESCRIPTION	QUANTITY	POS	CODE	DESCRIPTION	QUANTITY
1	4404120102	BLACK HANDLE 11/2'-2'		7	4404121107	PLUG 1/4'	
2	4404121102	TOP ABS 6 WAY		8	4404120202	UNION BLACK 1 1/2' NEW	
3	4404121103	SPRING		9	4404120204	ELBOW BLACK 1 1/2' NEW	
4	4404121104	DISTRIBUTOR WITH GASKETS		10	4404121110	UPPER PART 1 1/2" BAYONET CLOSING BL	
5	4404121105	GASKETS 1 1/2'		11	4404120205	UNION SEALS 1 1/2'	
6	4404120108	VISOR WITH SEAL		12	20043R0110	VALVE VODY 1 1/2"	

CODICE **20569**

DESCRIZIONE: **VALVOLA SELETRICE 1 1/2" BAIONETTA CON RACCORD "**

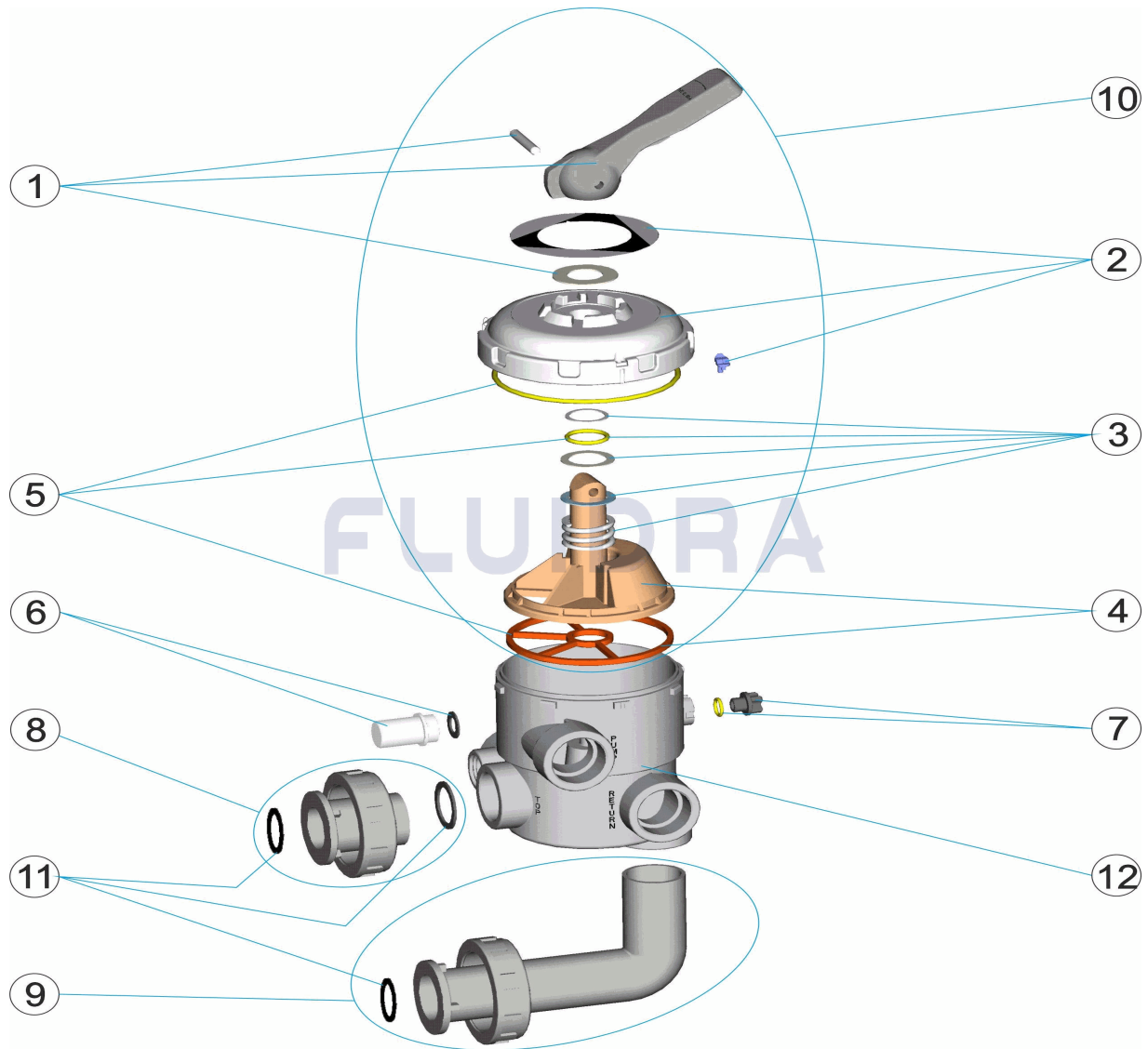


ITALIANO

POS	CODICE	DESCRIZIONE	QUANTITA'	POS	CODICE	DESCRIZIONE	QUANTITA'
1	4404120102	MANIGLIA NERA 1 1/2' - 2'		7	4404121107	COPERCHIO 1/4' VALVOLA	
2	4404121102	COPERCHIO ABS 6 V		8	4404120202	RACCORDO DIRITTO NERO 1 1/2 NUOVO	
3	4404121103	MOLLA VALVOLA		9	4404120204	RACCORDO A GOMITO NERO 1 1/2 NUOVO	
4	4404121104	DISTRIBUTORE CON GUARNIZIONE		10	4404121110	KIT BAIONETTA SUPERIORE DA 1 1/2" COL	
5	4404121105	GUARNIZIONI VALVOLA 1 1/2'		11	4404120205	GUARNIZIONE PER RACCORDO 1 1/2'	
6	4404120108	VISORE CON GUARNIZIONE		12	20043R0110	CORPO VALVOLA 1 1/2"	

CODE **20569**

BESCHREIBUNG: **MEHRWEGVENTIL 1 1/2" BAJONETT + VERSCHRAUBUN "**

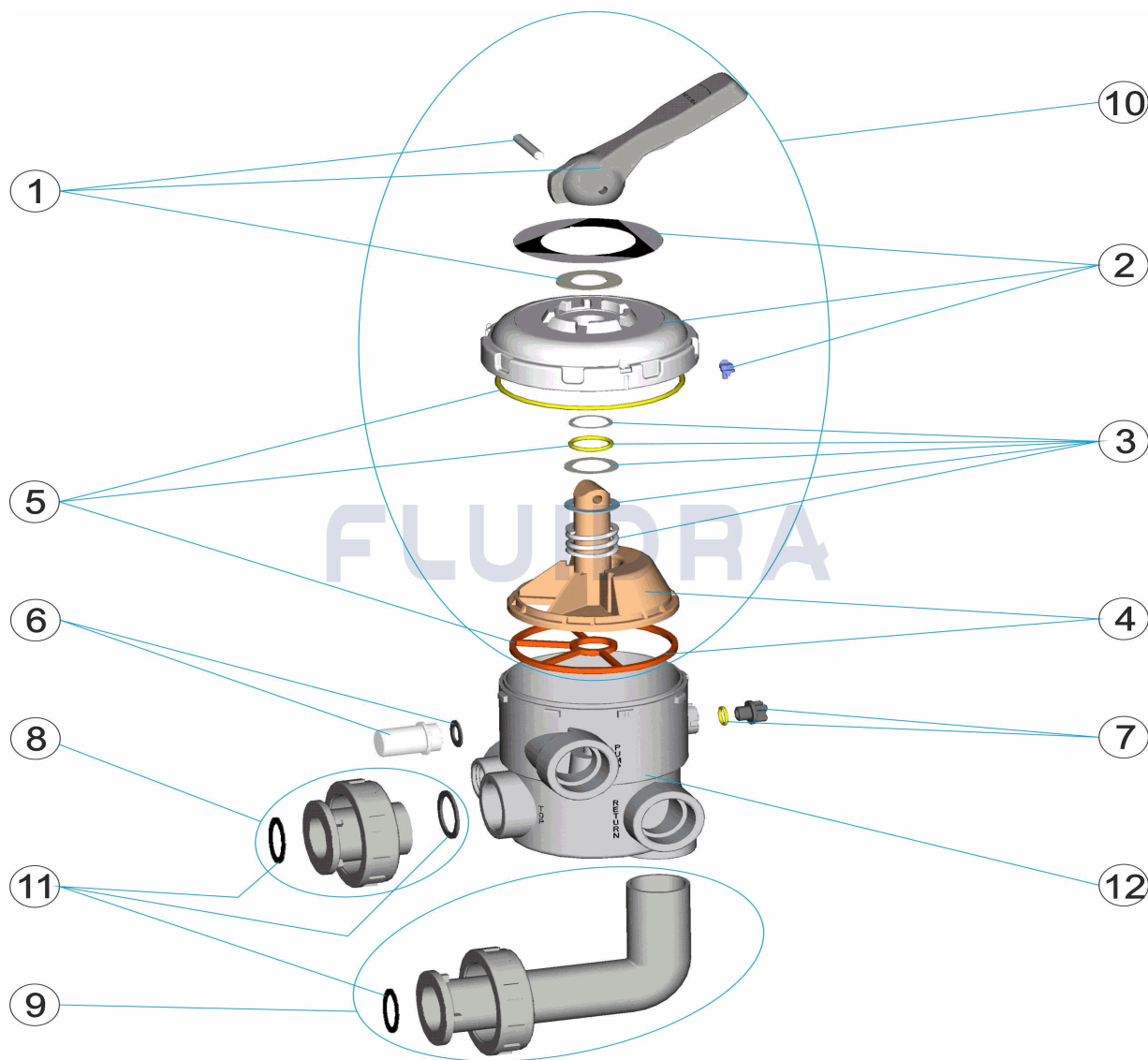


DEUTSCH

POS	CODE	BESCHREIBUNG	MENGE	POS	CODE	BESCHREIBUNG	MENGE
1	4404120102	GRIF F SCHWARZ 1 1/2' - 2'		7	4404121107	STOPFEN 1/4' VENTIL	
2	4404121102	ABDECKUNG ABS 6 V		8	4404120202	ANSCHLUSS GERADE SCHWARZ 1 1/2' NEU	
3	4404121103	VENTILFEDER		9	4404120204	ANSCHLUSSWINKEL SCHWARZ 1 1/2' NEU	
4	4404121104	VERTEILER UND DICHTUNG		10	4404121110	SET OBEN 11/2" BAJONETT SCHWAR "	
5	4404121105	VENTILDICHTUNGEN 1 1/2'		11	4404120205	DICHTUNGEN ANSCHLUSS 1 1/2'	
6	4404120108	SCHAUGLAS UND DICHTUNG		12	20043R0110	GEHÄUSE VENTIL 1 1/2"	

CODIGO **20569**

DESCRIÇÃO: **VÁLVULA SELECTORA 1 1/2" BAIONETA + PEÇAS DE LIGAÇÃO "**



PORTUGUES

POS	CODIGO	DESCRIÇÃO	JANTIDADE	POS	CODIGO	DESCRIÇÃO	JANTIDADE
1	4404120102	MANIPULO PRETO 1 1/2'-2'		7	4404121107	TAMPÃO 1/4' VÁLVULA	
2	4404121102	MANIPULO		8	4404120202	LIGAÇÃO RECTA PRETA 1 1/2' NOVA	
3	4404121103	TAMPA PARAFUSOS		9	4404120204	LIGAÇÃO CURVA PRETA 1 1/2' NOVA	
4	4404121104	DISTRIBUIDORCOM JUNTA		10	4404121110	CJTO. SUPERIOR 1 1/2" BAIONRTA PRET "	
5	4404121105	JUNTAS VÁLVULA 1 1/2'		11	4404120205	JUNTAS LIGAÇÃO 1 1/2'	
6	4404120108	VISOR COM JUNTA		12	20043R0110	CORPO VALVULA 1 1/2"	