

BADU[®] Resort

Cost saving pump for large units. Light and powerful.
For wellness oases, hotel swimming pools or special pools.

Field of application

Swimming pool water circulation through a filter system.
The pump can be installed max. 3 m above or below water level.

Design

Monoblock-type pump with integrated strainer tank.
The bellows-type mechanical seal is mounted on a plastic shaft protector sleeve. Motor/pump shaft has no contact with the pool water providing complete electrical separation.
Strainer tank capacity approx. 10 l
Strainer basket mesh size approx. 3.4 x 3.2 mm

For glue sockets made from PVC suitable for BADU Resort 50 to BADU Resort 110 please see page 157.

Materials used

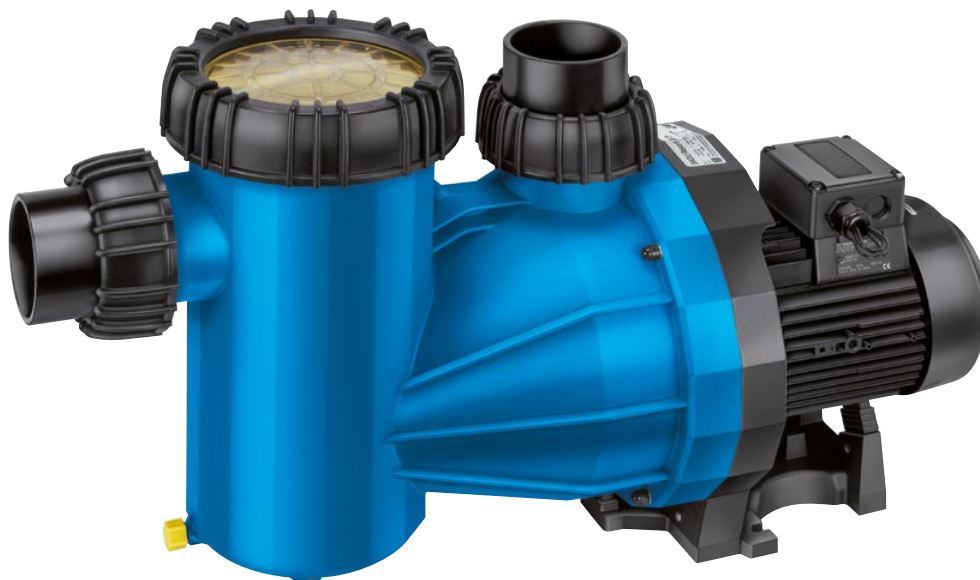
Pump casing PP GF 30
Intermediate housing PP TV 40
Gland housing PP TV 40
Diffuser PP GF 30
Impeller PPE GF 30/PP GF 30
Impeller nut PP GF 30
Strainer basket PP
Lid PC, transparent/PA 66 GF 30
Glue sockets ABS
Mechanical seal carbon/ceramic/NBR
Screws stainless steel
Elastomers NBR/viton

Technical data at 50 Hz	BADU Resort	30	40	45	50	55	60	70	80	110
Inlet Sa/outlet connection Da d ²⁾		75/75	90/90	90/90	110/110	110/110	110/110	110/110	110/110	110/110
Rec. inlet/outlet pipe, PVC pipe, d ⁴⁾		75/75	90/90	90/90	110/110	110/110	110/110	110/110	140/140	160/140
Power input P ₁ /output P ₂ ¹⁾ (kW)	3~ Y/Δ 400/230 V	1.77/1.50	2.55/2.20	3.00/2.60	3.45/3.00	-/-	3.00/2.60	3.45/3.00	-/-	-/-
Rated current (A)	3~ Y/Δ 400/230 V	3.30/5.72	4.60/8.00	5.50/9.50	6.20/10.70	-/-	5.50/9.50	6.20/10.70	-/-	-/-
Power input P ₁ /output P ₂ ¹⁾ (kW)	3~ Y/Δ 690/400 V	-/-	-/-	-/-	-/-	4.55/4.00	-/-	-/-	4.55/4.00	6.15/5.50
Rated current (A)	3~ Y/Δ 690/400 V	-/-	-/-	-/-	-/-	4.60/7.90	-/-	-/-	4.60/7.90	6.00/10.40
Net weight (kg)	3~	23.00	26.00	40.00	38.00	34.00	35.50	36.00	39.00	41.00

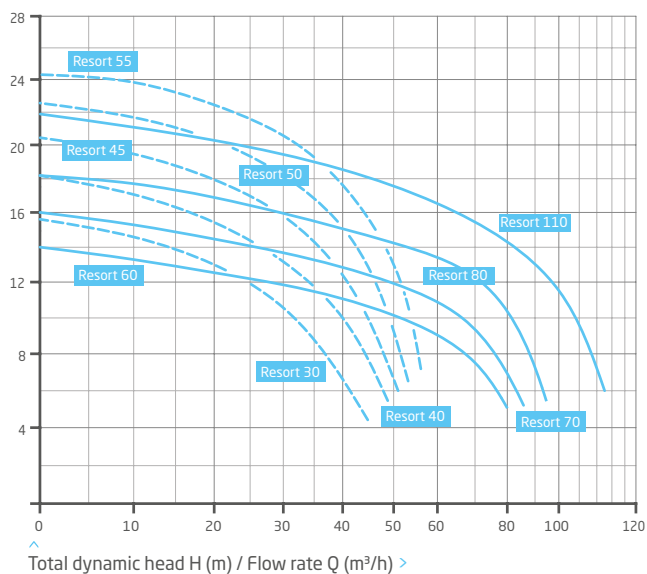
For more detailed information regarding the motor protection please see page 167.

Article no	Description	Voltage	Power output P ₂
219.5308.037	BADU Resort 30	3~ Y/Δ 400/230 V	1.50 kW
219.5408.037	BADU Resort 40	3~ Y/Δ 400/230 V	2.20 kW
219.5458.037	BADU Resort 45	3~ Y/Δ 400/230 V	2.60 kW
219.5508.037	BADU Resort 50	3~ Y/Δ 400/230 V	3.00 kW
219.5558.037	BADU Resort 55	3~ Y/Δ 690/400 V	4.00 kW
219.5608.037	BADU Resort 60	3~ Y/Δ 400/230 V	2.60 kW
219.5708.037	BADU Resort 70	3~ Y/Δ 400/230 V	3.00 kW
219.5808.037	BADU Resort 80	3~ Y/Δ 690/400 V	4.00 kW
219.5118.037	BADU Resort 110	3~ Y/Δ 690/400 V	5.50 kW

Three-way opening device included in delivery. See page 154.

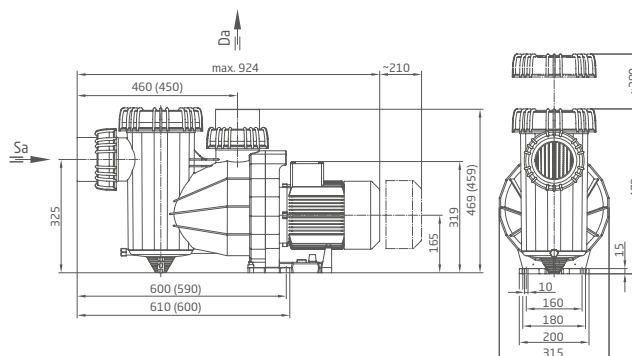


Performance



Dimensions

Detailed dimensions available on request or at badu.de



The measurements in brackets are for BADU Resort 30 to BADU Resort 45.